

## DESCRIPTION

AMC MODEL AGH-0910-60DDSF IS AN ULTRA HIGH SPEED OCTAVE BAND ATTENUATOR/MODULATOR, PROGRAMMABLE BY 8 BIT POSITIVE TRUE BINARY LOGIC.

## SPECIFICATIONS

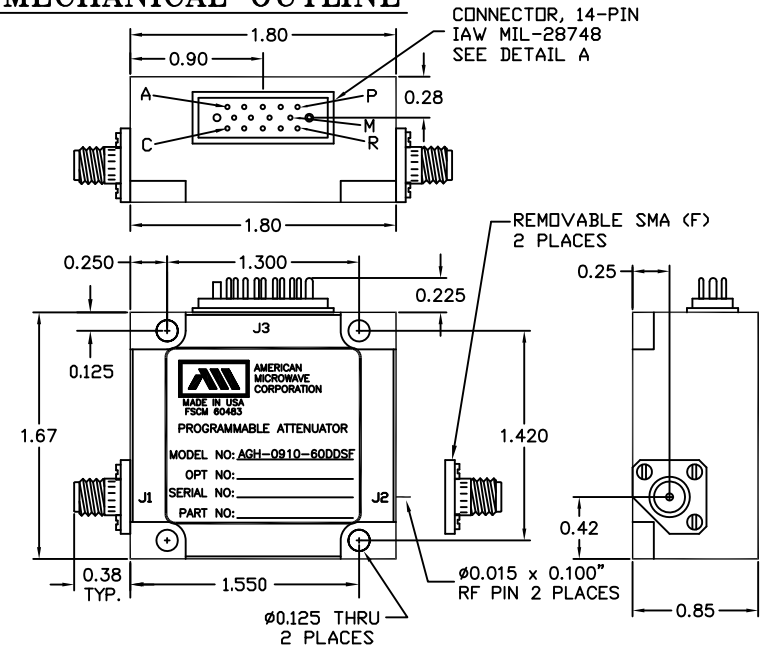
- FREQUENCY RANGE ..... 9 - 10 GHz MINIMUM
- INSERTION LOSS ..... 2.8 dB MAXIMUM
- ATTENUATION ACCURACY ..... 0-60dB  $\pm 0.5$  + 2% OF ATTENUATION VALUE @25°C MAXIMUM.  
60-63.75dB  $\pm 1.0$  + 2% OF ATTENUATION VALUE @ 25°C MAXIMUM.
- ACCURACY VARIATION: .....  $\pm 0.75$ dB + 2% @ 25°C MAXIMUM
- SWITCHING TIME ..... 1uSEC MAXIMUM
- TEMPERATURE COEFFICIENT .....  $\pm 0.01$  dB/°C
- VSWR (ON/OFF) ..... 1.8:1 MAXIMUM
- POWER RATINGS  
OPERATING ..... +20dBm MAXIMUM  
SURVIVAL ..... +30dBm MAXIMUM
- CONTROL ..... 8 BIT POSITIVE TRUE TTL BINARY LOGIC, 0.25dB MINIMUM ATTENUATION STEPS (SEE PIN FUNCTION TABLE)
- POWER SUPPLY ..... +15VDC @ 195mA MAXIMUM  
-15VDC @ 95mA MAXIMUM
- CONNECTORS  
RF INPUT/OUTPUT ..... FIELD REPLACEABLE SMA (FEMALE)  
POWER AND CONTROLS ..... MINIATURE 14 PIN MALE (MIL-28748), MATING CONNECTOR (FEMALE) FURNISHED
- SIZE ..... 1.80" x 1.67" x 0.85"

## AVAILABLE OPTIONS

- A01 ..... J1 SMA MALE, J2 SMA FEMALE
- A02 ..... TWO SMA MALE CONNECTORS
- A03 ..... MINIATURE 15 PIN, MALE CONNECTOR (MDM15SSP)
- A04 ..... ULTRA HIGH SPEED (70ns ON/OFF TIME)

J3 PIN	FUNCTION
A	N/C
B	GND
C	0.25dB
D	0.5dB
E	N/C
F	1.0dB
H	2.0dB
J	4.0dB
K	8.0dB
L	16.0dB
M	32.0dB
N	GND
P	+15
R	-15

## MECHANICAL OUTLINE



### NOTES:

- 1) DIMENSIONS ARE IN INCHES
- 2) TOLERANCES: X.XX  $\pm 0.020$   
X.XXX  $\pm 0.010$
- 3) WEIGHT: APPROX. 3.4 OZ

## ENVIRONMENTAL RATINGS

- TEMPERATURE ..... -55°C TO +85°C (OPERATING)  
-65°C TO +125°C (STORAGE)
- HUMIDITY ..... MIL-STD-202F, METHOD 103B COND. B
- SHOCK ..... MIL-STD-202F, METHOD 213B COND. B
- VIBRATION ..... MIL-STD-202F, METHOD 204D COND. B
- ALTITUDE ..... MIL-STD-202F, METHOD 105C COND. B
- TEMPERATURE CYCLE ..... MIL-STD-202F, METHOD 107D COND. A

		<b>AMERICAN MICROWAVE CORPORATION</b> 7311G GROVE RD., FREDERICK, MD. 21701 TEL: (301) 662-4700 FAX: (301) 662-4938	
APPROVALS	DATE	<b>PRODUCT FEATURE</b>	
DRAWN <i>WJP</i>	11/9/97	<b>AGH-0910-60DDSF</b>	
CHECKED		ULTRA HIGH SPEED, 9 TO 10 GHz PROGRAMMABLE ATTENUATOR	
		SIZE A	SHEET 1 OF 2
			DWG. # 100-2812-2

REVISIONS				
ZONE	REV.	DESCRIPTION	DATE	APPROVED
	A	FIAR ITALY, JOB# 512272E	11/9/97	